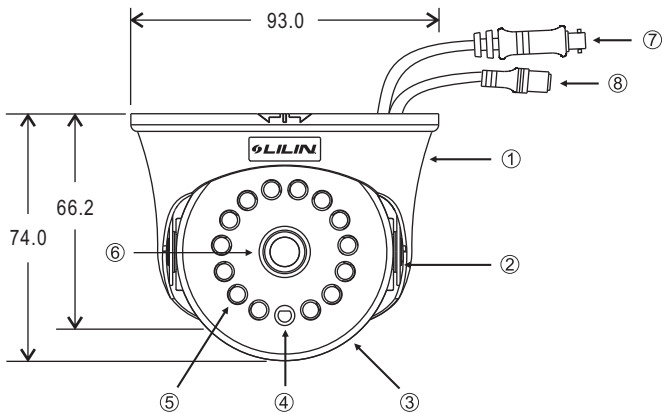




AHD DOME IR CAMERA

Instruction

Part Description & Dimension

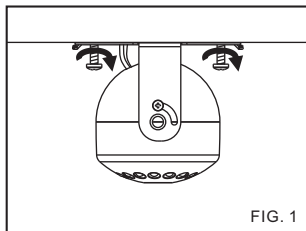


Unit : mm

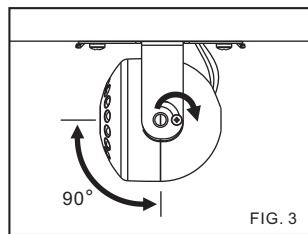
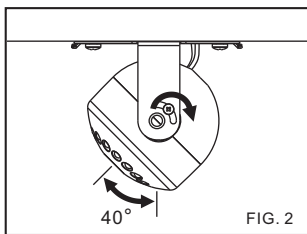
- ① COVER
- ② BRACKET
- ③ CAMERA
- ④ LIGHT SENSOR
- ⑤ INFRARED LED
- ⑥ LENS
- ⑦ VIDEO OUTPUT JACK
- ⑧ DC POWER INPUT (DC12V ±10%) JACK

Installation

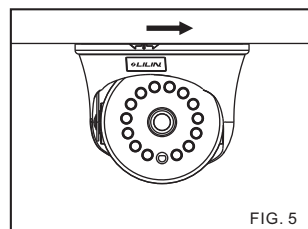
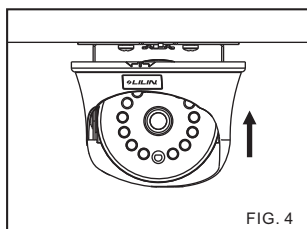
1. Take out the camera first, which is connected with the bracket, and turn the lens downward. Fix the bracket on the desired place with supplied screws (M4.0x25, wooden screw) (FIG.1).



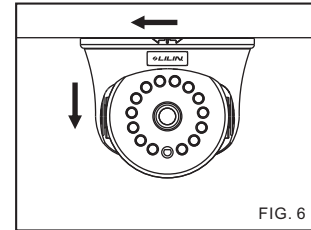
2. Adjust the camera to desired angle (should be between 40° to 90°, otherwise the cover will be difficult to replace), and then tighten two screws on both sides of the camera (FIG.2 & FIG.3).



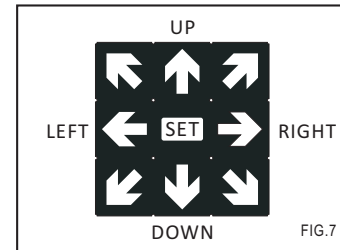
3. Remove the cover. Align the mark on the cover with the hinge of the bracket (FIG.4) and turn clockwise to secure it properly to a locked position (FIG.5).



4. To remove the cover, turn the cover counterclockwise to unlock (FIG.6).



5. Connect to an Up-the-Coax (UTC) digital recorder that supports AHD-Coaxial protocol. Then use the 8-directional buttons (FIG. 7) to adjust settings for the best images.

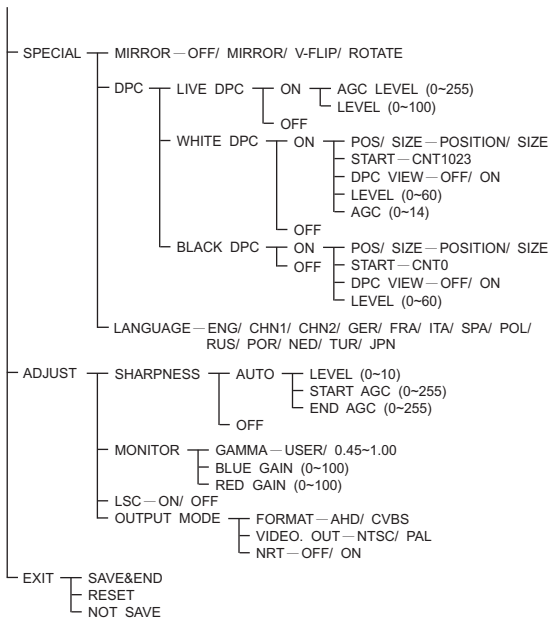


5-1. USER OSD SETTING

- A. **↑** (UP) : Press to move the cursor upwards or to select items.
- B. **←** (LEFT) : Press to move the cursor to the left and to select or adjust the parameters of the selected item. The parameters changes each time this button is pressed.
- C. **→** (RIGHT) : Press to move the cursor to the right and select or adjust the parameters of the selected item. The parameters changes each time this button is pressed.
- D. **↓** (DOWN) : Press to move the cursor downwards or to select items.
- E. **SET** : Executes selections and displays a submenu for an item with the **↩** mark.

Menu Map

MAIN MENU	EXPOSURE	SHUTTER— AUTO/ 1/30(1/25)/ 1/60(1/50)/ FLK—1/50000
		AGC (0-15)
		BRIGHTNESS (1-100)
		D-WDR
		OFF
		ON—LEVEL (0-15)
		AUTO
	BACKLIGHT	OFF
		BLC
		LEVEL—LOW/ MIDDLE/ HIGH
	AREA—POSITION/ SIZE	
	DEFAULT	
	HSBLC	
	SELECT—AREA 1/ 2/ 3/ 4	
	DISPLAY	
	ON—POSITION/ SIZE	
	OFF	
	BLACK MASK—ON/ OFF	
	LEVEL (0-100)	
	MODE	
	ALL DAY	
	NIGHT—AGC LEVEL (0-255)	
	DEFAULT	
WHITE BAL	ATW	
	AWC—SET ↩	
	INDOOR	
	OUTDOOR	
	MANUAL	
	BLUE (0-100)	
	RED (0-100)	
DAY&NIGHT	D&N EXT	
	D→N (DELAY)—0-60	
	N→D (DELAY)—0-60	
	D&N AUTO	
	D→N (AGC)—1-255	
	D→N (DELAY)—0-60	
	N→D (AGC)—1-255	
	N→D (DELAY)—0-60	
	COLOR	
	B/W	
	IR SMART	
	ON	
	OFF	
	LEVEL (0-15)	
	AREA—POSITION/ SIZE	
NR	2DNR—LOW/ MIDDLE/ HIGH/ OFF	



Specifications

D/N 4MP AHD DOME IR CAMERA				
Model No.	AHD754A3.6		AHD754A6	
Lens	Focal Length	3.6mm		
	Iris	F2.0		
	Angle of View	H	72.2°	
		V	52.9°	
D		94.3°		
Power Input Voltage	DC12V ±10%			
System	NTSC or PAL			
Pick Up Element	1/3" CMOS Image Sensor			
Effective Pixels	2,688(H) x 1,520(V)			
Scanning System	Progressive Scan			
Menu Control	OSD Control			
Sync. Mode	Internal			
Infrared Cut Filter	Auto Selectable, Automatic Switch from Color Mode to Monochrome			
Resolution	2,560(H) x 1,440(V) @ 30/25fps			
Minimum Illumination	0.2Lux / F1.8, 0Lux (IR On)			
S/N Ratio	More than 55dB (AGC-Off)			
UTC	AHD-Coaxial protocol Supported			
Auto Gain Control	AUTO (16 Steps)			
White Balance	ATW / AWC / INDOOR / OUTDOOR / MANUAL			
Shutter	Auto	1/30(1/25)S ~ 1/50,000S		
	Manual	1/30(1/25)S, 1/60(1/50)S, FLK, 1/240S, 1/480S, 1/1,000S, 1/2,000S, 1/5,000S, 1/10,000S, 1/50,000s		
D-WDR	OFF / ON / AUTO			
Back Light Compensation	OFF / BLC / HSBLC			
Noise Reduction	2DNR			
Sharpness	AUTO / OFF			
LSC	ON / OFF			
Digital Effect	MIRROR / V-FLIP / ROTATE			
OSD Language	ENG / CHN1 / CHN2 / GER / FRA / ITA / SPA / POL / RUS / POR / NED / TUR / JPN			
Video Output	AHD 4MP / CVBS			
Power Consumption	3W			
Operating Temperature	-10°C ~ +50°C (-14°F ~ 122°F)			
Infrared LED	Peak Wavelength	850nm		
	Beam Spread	30°		
	Radiant Distance	16M		
Dimensions	φ93 x 74mm(H)			
Weight	230g			

Design and specification are subject to change without notice.

HIDDEN Menu

Enter "Main Menu" and enter "1. EXPOSURE." Press **→** three times, then press "SET" (in the center of the 8-directional button) to enter the "HIDDEN" menu.

HIDDEN
 ADC TEST - OFF/ ON
 AE TEST - OFF/ ON
 VERSION

HIDDEN	
▶ 1. ADC TEST	OFF
2. AE TEST	OFF
3. VERSION	↔
4. RETURN	RET ↔

Setting Menu and Function

To Open and Exit the Menu screen

1. Press "SET" to show the menu on the screen. Check the current settings on the menu.
2. Press **↑** or **↓** button to select the options then use **←** or **→** button to select a mode.
 - SAVE&END: Save the settings of the internal OSD menu.
 - NOT SAVE: Discard the settings of the internal OSD menu.
 - RESET: Restore the camera settings to factory defaults.
 - RETURN: Return to the previous page.
 - EXIT: Exit the main menu.

MAIN MENU	
▶ 1. EXPOSURE	↔
2. BACKLIGHT	OFF
3. WHITE BAL	ATW
4. DAY&NIGHT	EXIT ↔
5. NR	↔
6. SPECIAL	↔
7. ADJUST	↔
8. EXIT	SAVE&END ↔