



As with all Pro series cameras, Day & Night 1080P HD Dome IP Camera IPD2122 incorporates Sense Up+, a unique technology that successfully delivers stunning video in low-light conditions. Utilizing intelligent image signal processing, AGC control, and 3D noise reduction, this model successfully delivers the ultimate low-light image without motion blur. The IPD2122 is capable of producing four independent video streams, different streams can be set for different applications, depending on the individual user requirements.

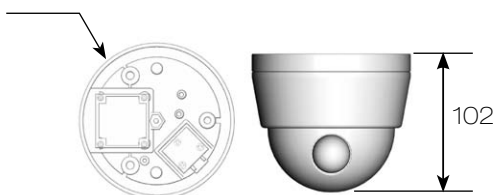
#### FEATURES :

- Full HD 2 megapixel CMOS image sensor
- True H.264 AVC/MPEG-4 part 10 real-time Video compression
- H.264 and Motion JPEG multi-profile Video streaming
- 3D noise reduction (MCTF)
- 2D WDR function
- Digital PTZ supported
- Face / tampering / motion detection
- 3-Axis camera construction
- Screw-on design dome cover for easy and secure installation
- Day & Night (IR cut removable)
- ONVIF supported

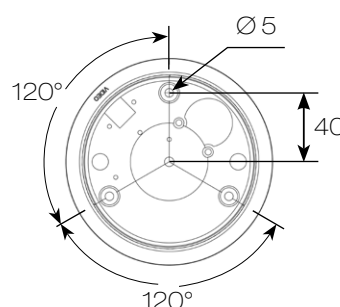
#### DIMENSIONS : (Unit : mm)

Ø120 x 102

Ø120



#### INSTALLATION HOLE SITE DIAGRAM :



## SPECIFICATION :

Name		Day & Night 1080P HD Dome IP Camera		
Model		IPD2122ES4.3	IPD2122ES6	
Lens	Focal length	4.3 mm	6 mm	
	Iris	F1.6	F1.8	
	Angle of view	H	84.8°	57.6°
		V	45.2°	31.4°
D		100.6°	67.3°	
Pick up element	1/2.7" CMOS image sensor			
Effective pixels	1920 (H) x 1080 (V) = 2,073,600 (pixel)			
Chip size	5.856mm (H) x 3.276mm (V)			
Scanning system	Progressive scan			
Infrared cut filter	Auto / schedule / day (color) / night (mono)			
Min. illumination	0.15 Lux at F1.6 (Low light mode)	0.18 Lux at F1.8 (Low light mode)		
White balance	Auto / tungsten / indoor / fluorescents1 / fluorescents2 / outdoor1 / outdoor2			
Back light compensation	Off / on			
Electrical shutter	1/30s - 1/8000s			
Sense up	Off / 1 frame / 2 frames / 3 frames / 7 frames			
Sense up +	Yes			
Auto gain control	36 dB variable gain			
3D noise reduction	Off / 1 - 32 selectable			
2D WDR	Off / on			
Privacy masking	Off / on (4 zones)			
Image effects	Brightness, Contrast, Hue, Saturation, Sharpness, Mirror, Flip			
Operating temperature	-25°C - +50°C (-13°F - 122°F)			
Dimension	Ø 120 x 102mm			
Weight	400g			
Power supply	DC12V ±10% / PoE (IEEE 802.3af compliant)			
Power consumption	DC12V, 5W / PoE, 6W			

Network		
Video compression	H.264 , Motion JPEG	
Resolution	1080P(1920 x 1080), 720P(1280 x 720), D1(720 x 480), CIF(352 x 240)	
Multiple profile	Profile #1	H.264 : up to 30 FPS @ 1920 x 1080, MJPEG : up to 30 FPS @ 720 x 480
	Profile #2	H.264 : up to 30 FPS @ 1280 x 720, MJPEG : up to 30 FPS @ 352 x 240
	Profile #3	H.264 : up to 30 FPS @ 1920 x 1080, MJPEG : up to 30 FPS @ 1280 x 720
	Profile #4	H.264 : up to 30 FPS @ 720 x 480, MJPEG : up to 15 FPS @ 1920 x 1080
Video streaming	RTP/HTTP, RTP/TCP, RTP/UDP, Multicast	
Video bitrate	128Kbps - 5Mbps	
	Frame rate and bit rate controllable on-the-fly	
	VBR / CBR / GOP supported	
Security	Base64 HTTP encryption	
	Multiple user access levels with password protection	
	10 user accounts available	
Users	8 simultaneous users	
ePTZ & digital zoom	Yes, ROI is supported	
OSD	Text overlay for date, time, and camera name	
Alarm function	Image upload over FTP and E-mail by face / tampering / motion detection	
CPU, memory	Embedded SoC ARM11, 528MHz, 256MB DDR2, 256MB flash memory	
Maintenance	Firmware update via HTTP	
	Firmware available at web site	
Network interface	10Mbps / 100Mbps Base-T, RJ-45	
PC requirement	OS : Windows 2000, Windows XP, Windows Vista, Windows 7, Windows 8	
	Browser : Windows Internet Explorer 6.0 or above	
	CPU : intel pentium 4 1.8GHz or above	
	RAM : 1GB or above, independent display card	
Network protocols	IP, TCP, UDP, HTTP, SMTP, NTP, DDNS, UPnP, FTP, ARP, DHCP, PPPoE, DNS, RTSP, RTCP, Telnet, ICMP, IGMP, ONVIF, SNMP	
Mobile phone	iPhone, iPad, and Android support	
System integration	ONVIF & LILIN HTTP API	
Central management system	CMX 3.6 / Navigator 3.8 support	
Video display	LILIN Universal ActiveX & LILIN Java Applet	
OS	Embedded Linux 2.6.32	