



Merit LILIN Technical Support Document

Document Number : Q00102

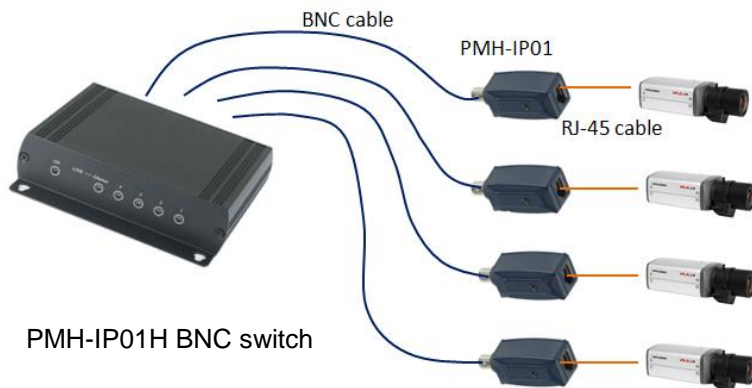
Date : 8/3/2013

Dept : Technical Support, Taipei

Subject: BNC to IP media convertor

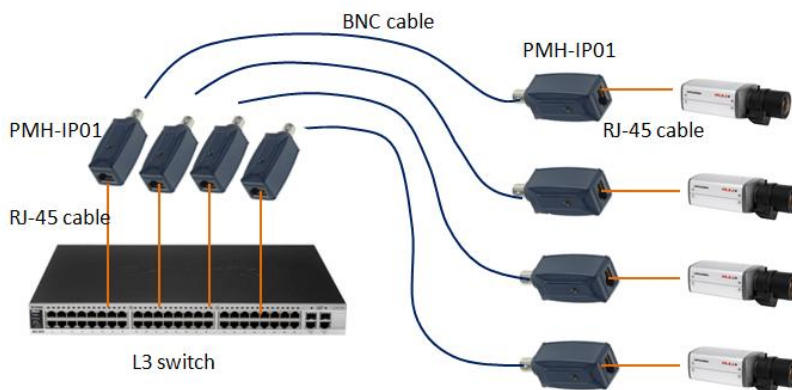
Description: This document describes schematics using existing BNC cables for installing IP cameras.

Four channels BNC installation



Caution: PMH-IP01H with BNC male terminators at channel 2, 3, 4, do not remove the terminators if you do not use these channels. It will cause PMH-IP01H switch not working properly.

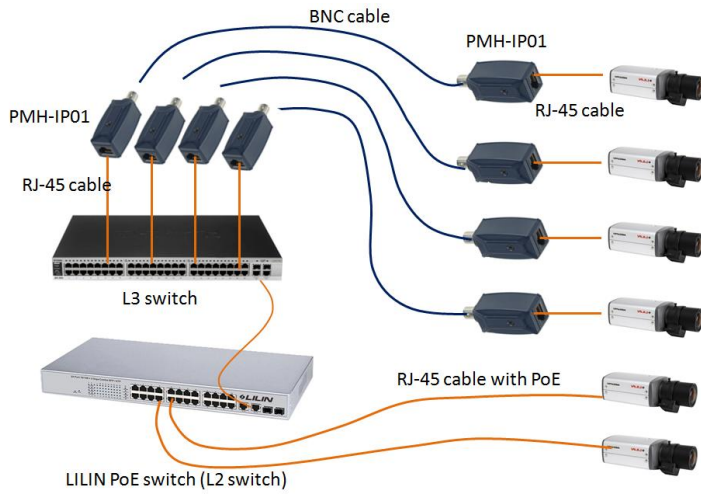
Use L3 switch if two PMH-IP01 BNC-to-IP convertors are used



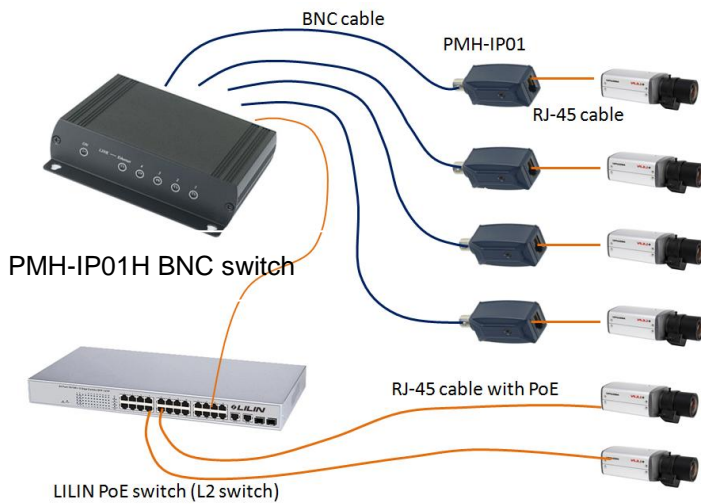
Caution: Do not use LILIN PoE switch connect directly to PMH-IP01 BNC-to-IP convertors.

BNC-to-IP media convertor and L2 PoE switch system diagram

The combination use of BNC-to-IP media convertor and LILIN L2 PoE switch, make sure that PMH-IP01, BNC-to-IP media convertor, can only connect to L3 switch.



Alternatively, you can use PMH-IP01 to connect to LILIN L2 PoE switch.



Do not use PMH-IP01 to LILIN PoE switch (L2 switch).

